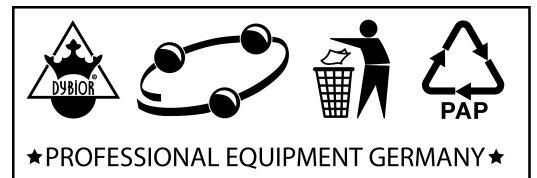
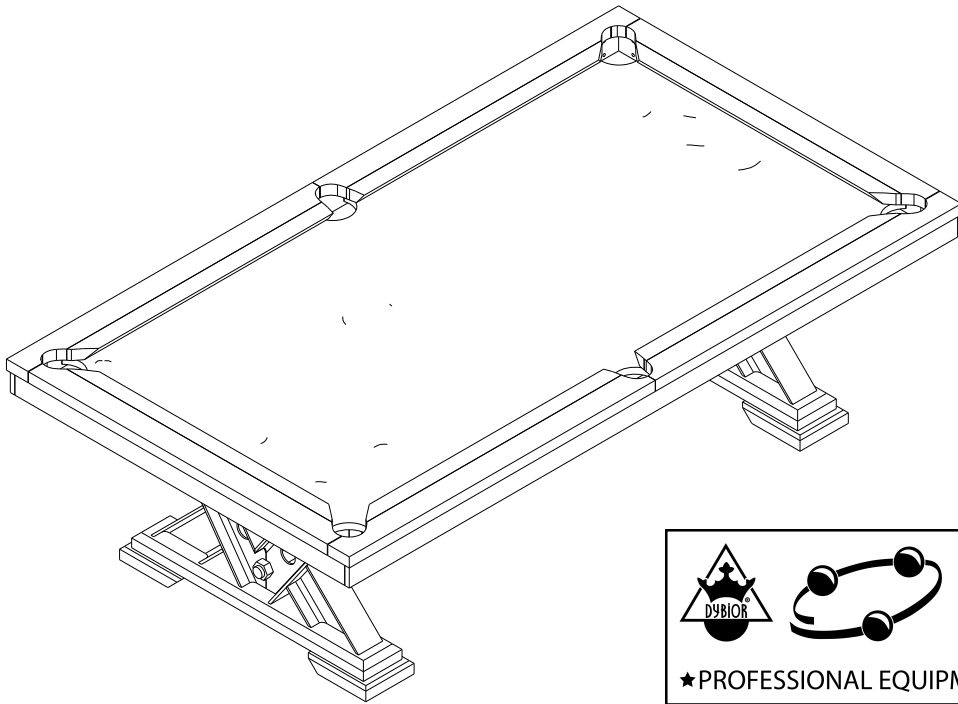





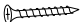










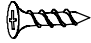


8' VIENNA




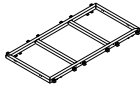
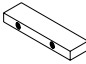
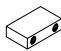

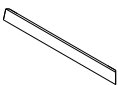
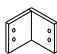






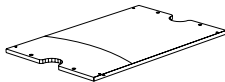


VIENNA TABLE
ASSEMBLY INSTRUCTIONS
AUFBAUANLEITUNG

VIENNA HARDWARE

PACKAGE	ITEM#	SAMPLE	DESCRIPTION	QTY.
LEG/PANEL	H1		HEX HEAD CROSS BOLT 3/8" X 2-3/8" (M10X60mm)	8
	H2		FLAT WASHER 3/8" I.D.	16
	H3		HEX NUT 3/8" I.D.	8
BEAM/BLOCK	H4		HEX HEAD CROSS BOLT 5/16" X 3-1/8" (M8X80mm)	16
	H5		FLAT WASHER 5/16" I.D.	16
RAIL/POCKET/SLATE	H6		FLAT HEAD SCREW 1/4" X 2" (M6X50mm)	12
	H7		STUD BOLT 5/16" X 5-1/2" (M8X140mm)	2
	H8		STUD BOLT 5/16" X 3-1/2" (M8X88mm)	4
	H9		FLAT WASHER 5/16" I.D.	12
	H10		HEX NUT 5/16" I.D.	12
	H11		HEX HEAD CROSS BOLT 5/16" X 1" (M8X25mm)	16
	H12		FLAT WASHER 5/16" I.D.	16
	H13		HEX HEAD CROSS BOLT 5/16" X 1-7/16" (M8X36mm)	12
	H14		FLAT WASHER 5/16" I.D.	12
	H15		HEX HEAD CROSS BOLT 3/8" X 2-3/8" (M10X60mm)	18
	H16		DOME WASHER 3/8" I.D.	18
H17		FLAT HEAD SCREW 5# X 1/2" (M3X12mm)	24	

VIENNA COMPONENT PARTS

PACKAGE	ITEM#	SAMPLE	DESCRIPTION	QTY.
LEG	1		LEG	2
	2		LEG CENTER BEAM	1
	3		NUT	2
FRAME(PANEL)	4		CABINET	1
	5		LONG WOODEN BLOCK	4
	6		SHORT WOODEN BLOCK	4
	7		SIDE APRON	2
	8		END APRON	2
	9		APRON JOINT CORNER BLOCK	4
TOP RAIL	10		TOP RAIL LEFT SIDE	2
	11		TOP RAIL RIGHT SIDE	2
	12		TOP RAIL END	2
POCKET	13		SIDE POCKET	2
	14		CORNER POCKET	4
SLATE	15		SLATE (LEFT)	1
	16		SLATE (CENTER)	1

VIENNA COMPONENT PARTS

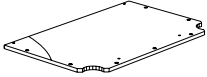


PACKAGE	ITEM#	SAMPLE	DESCRIPTION	QTY.
	17		SLATE (RIGHT)	1
	18		CLOTH	1
	19		WOOD JOINT	4

FIG.1

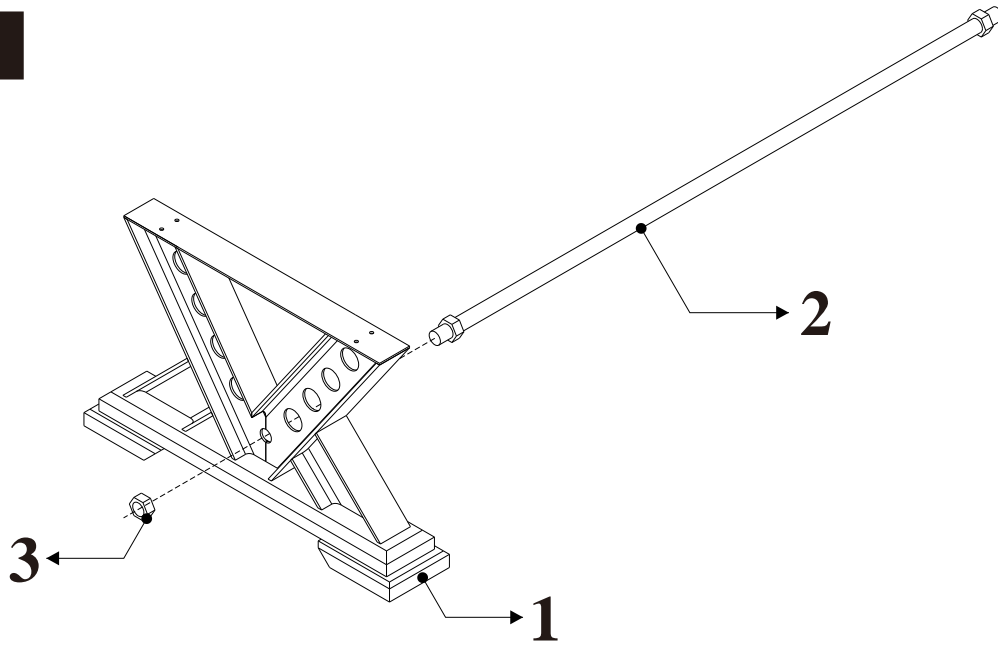


FIG.2

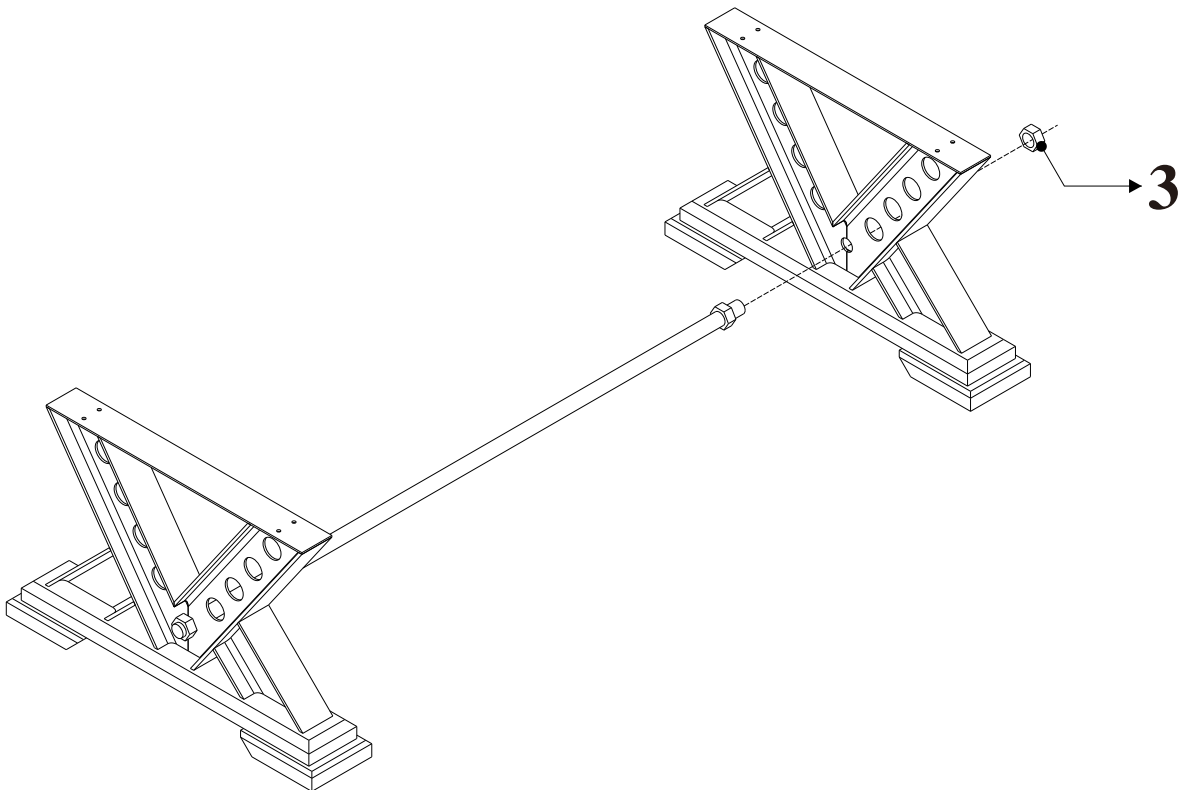


FIG.3

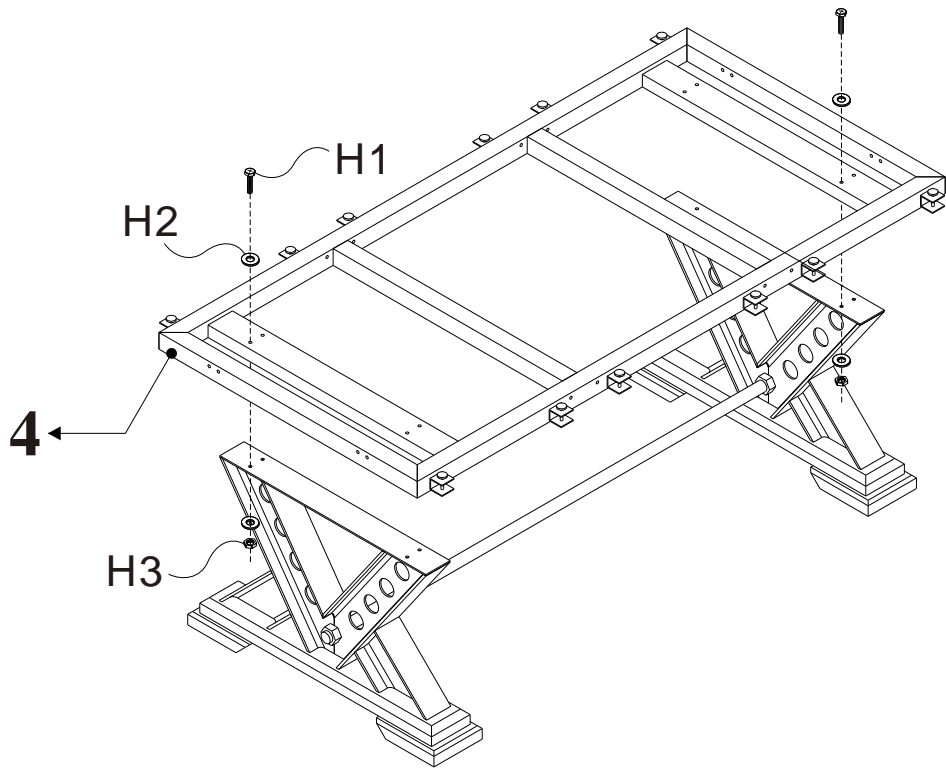


FIG.4

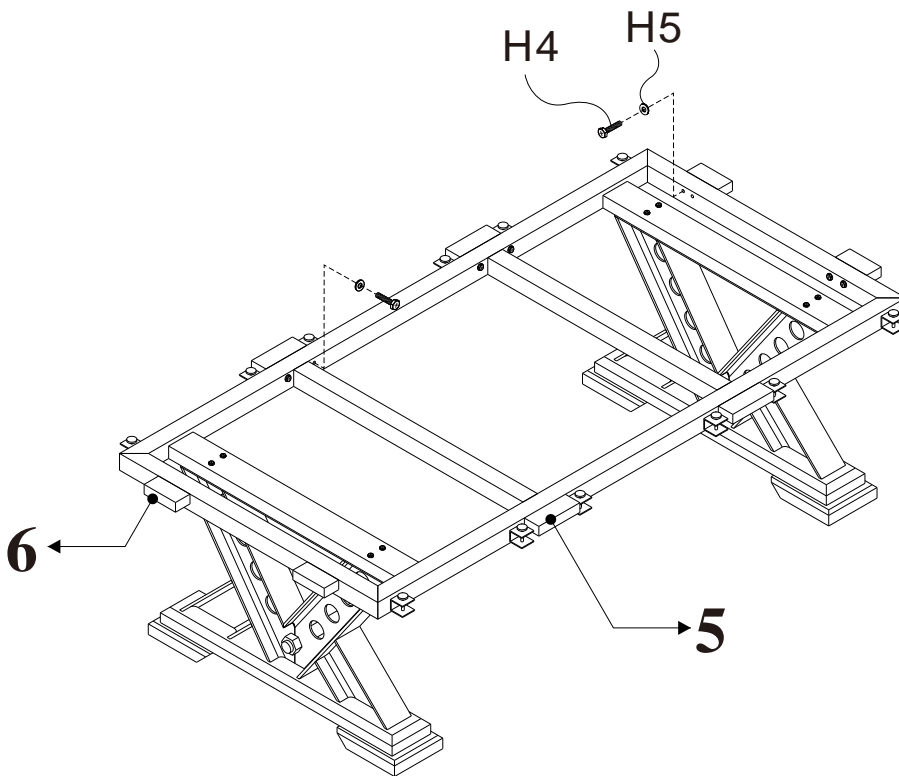


FIG.5

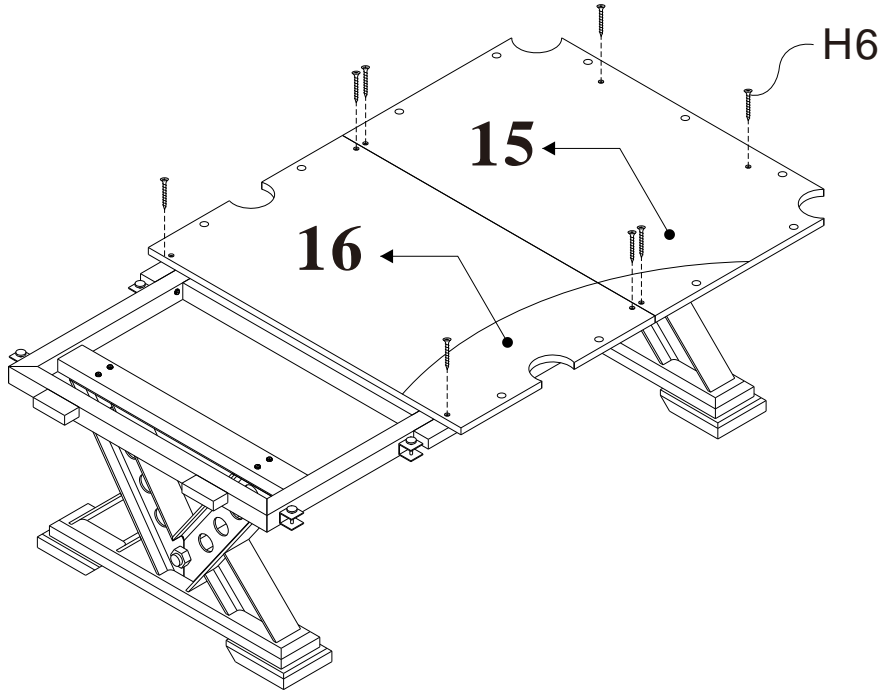
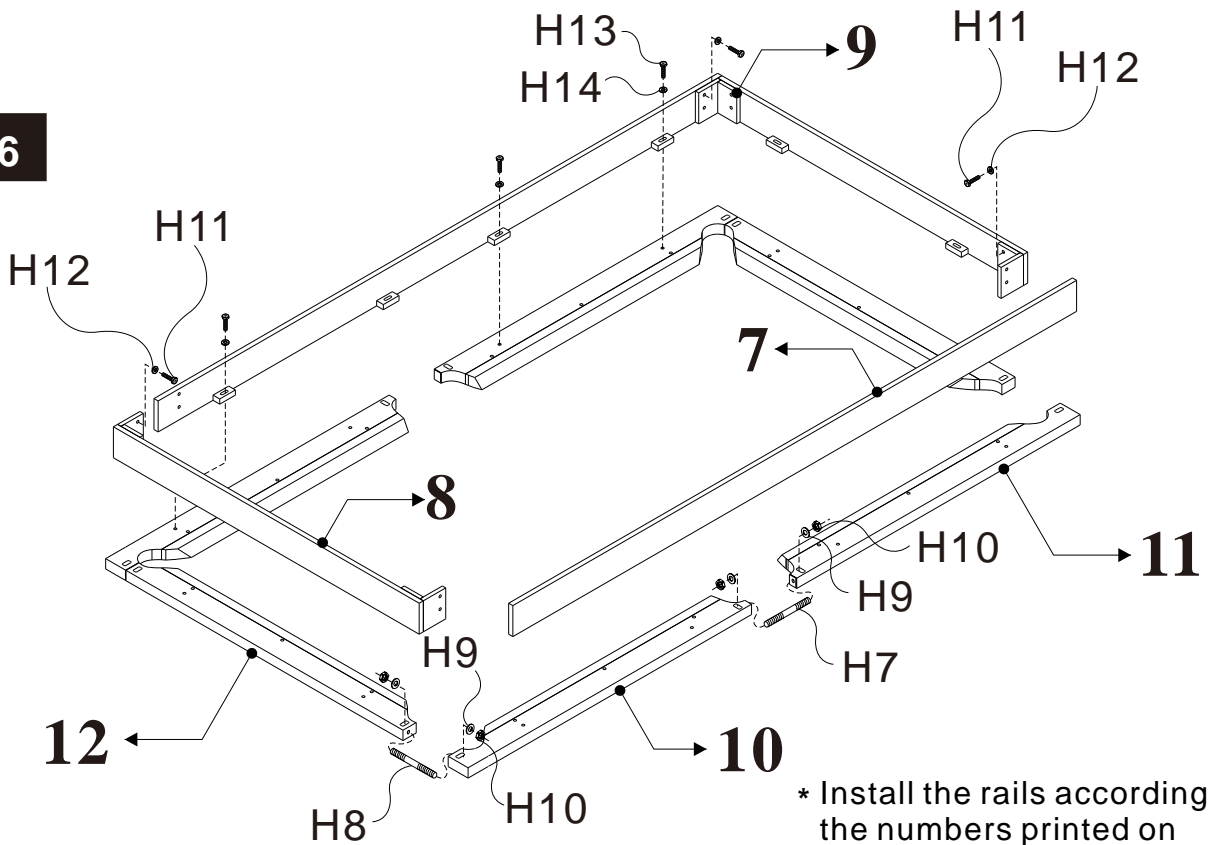
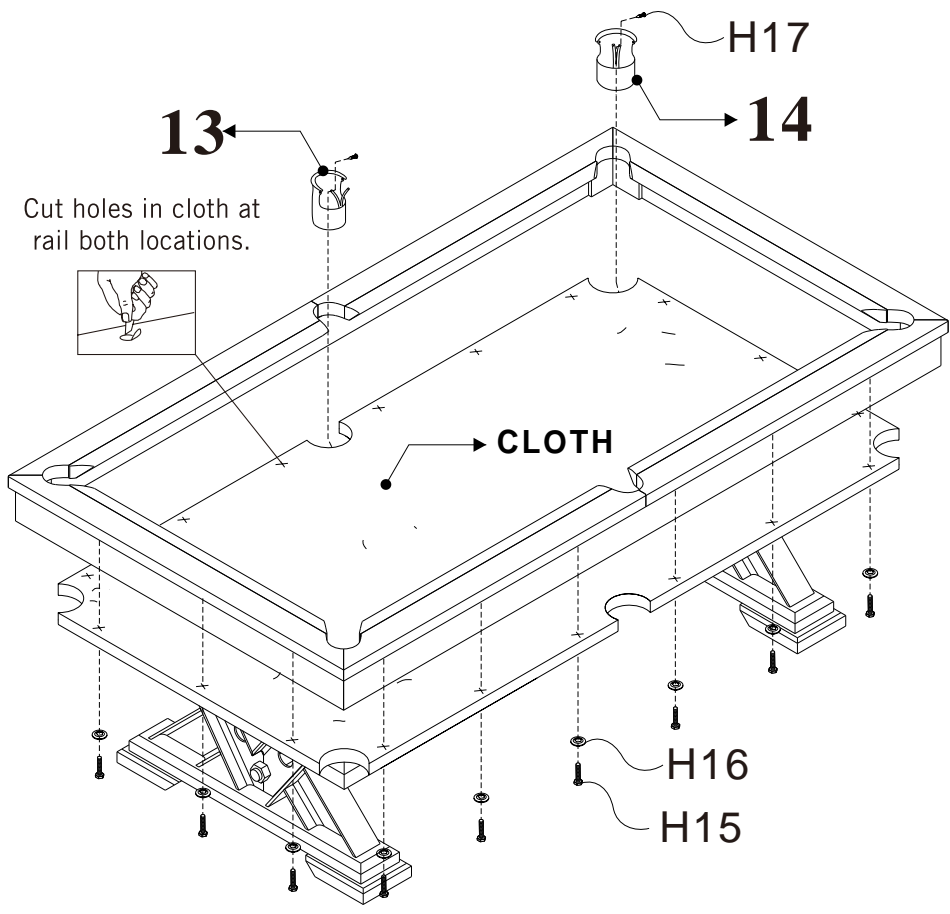


FIG.6



* Install the rails according to the numbers printed on backside of rails.

FIG.7



*** GLUE THE CLOTH TO THE SLATE**

Finish

