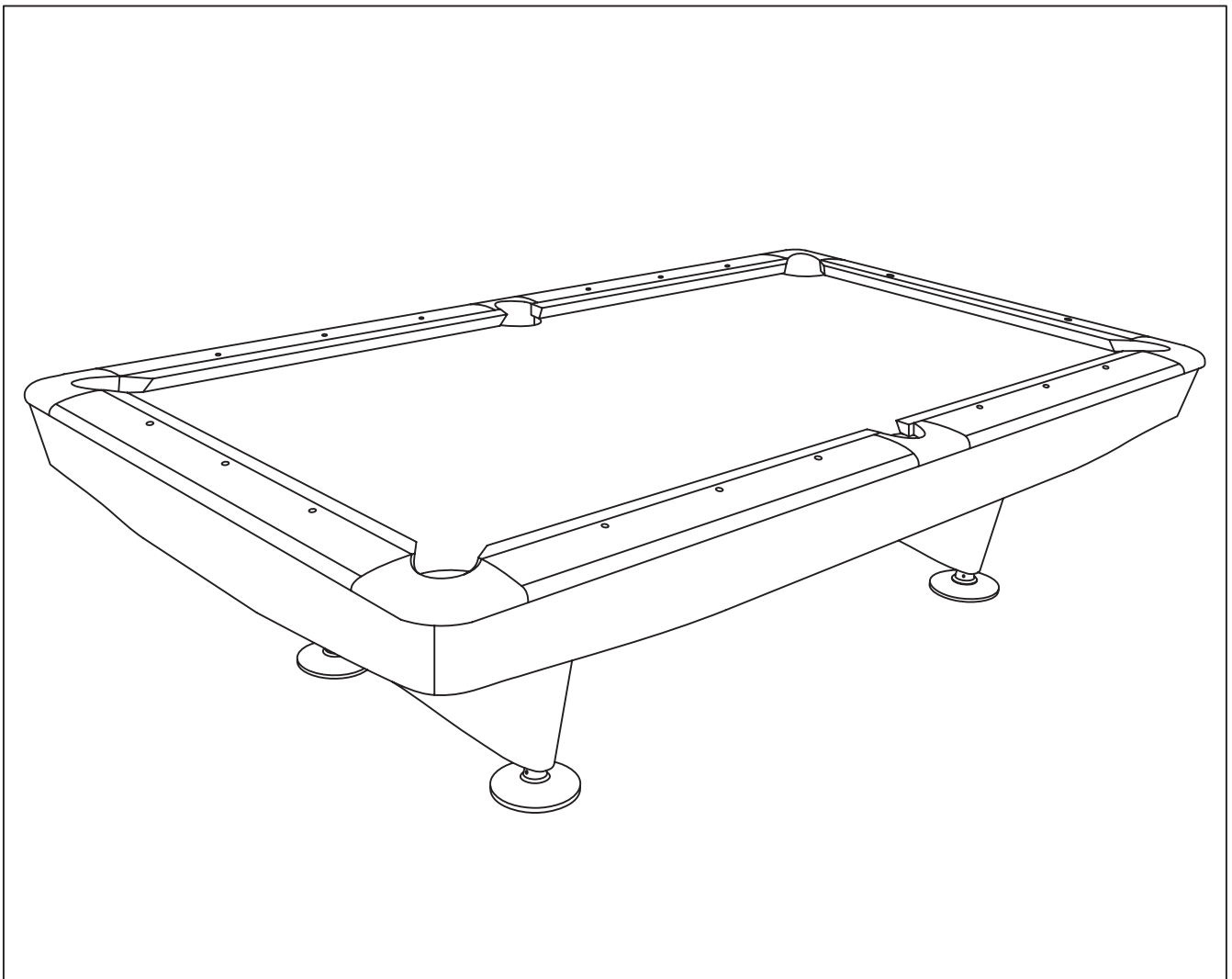
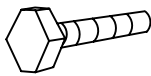
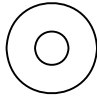
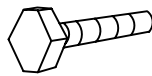
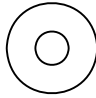
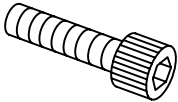
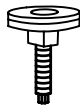
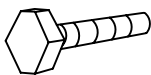
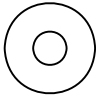
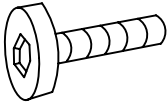
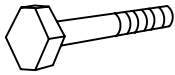
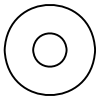


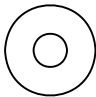
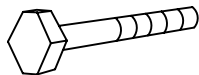
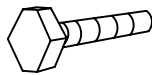
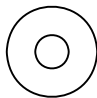
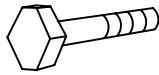
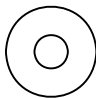
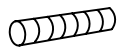
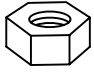
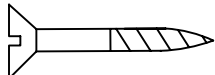
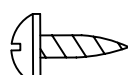
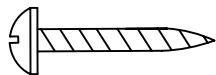




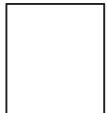

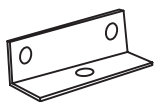
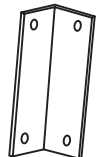
Dynamic II

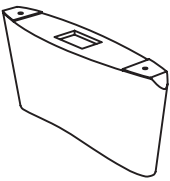
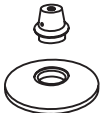
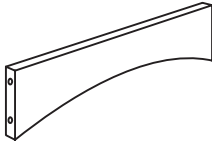
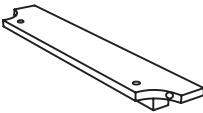
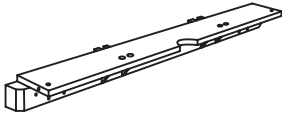


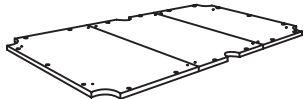
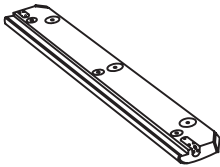
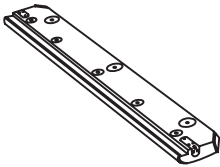
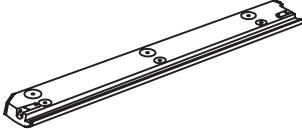
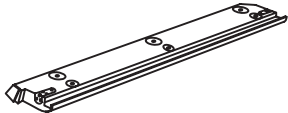
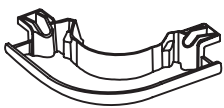
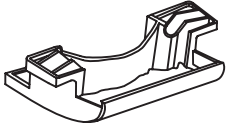
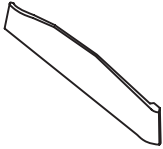
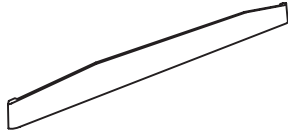
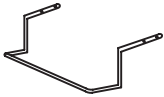





7' 8'

POOL TABLE PART LIST

A		B	
A1  3/8"X1-3/4" Bolt 18 pieces	A2  3/8"X38mm Washer 18 pieces	B1  3/8"X1-1/4" Bolt 12 pieces	B2  3/8"X32mm Washer 12 pieces
C  3/16"X3/4" Bolt 12 pieces	D		E  Slate leveler 12 pieces
	D1  5/16"X2" Bolt 18 pieces	D2  5/16"X23mm Washer 18 pieces	
F  1/4"X3/4" Bolt 16 pieces	G		
	G1  3/8"X3-1/2" Bolt 8 pieces	G2  3/8" Washer 16 pieces	G3  3/8" Nut 8 pieces
H			I
H1  10mm Nut 8 pieces	H2  10X25mm Washer 8 pieces	H3  10X130mm Bolt 8 pieces	I1  1/2"X2" Bolt 4 pieces
I	J		K
I2  1/2"X35mm Washer 4 pieces	J1  1/2"X3" Bolt 4 pieces	J2  1/2"X35mm Washer 4 pieces	K1  3/4"X3-1/2" screw 4 pieces
K	L		M
K2  3/4" Nut 4 pieces	L1  F4X1" screw 4 pieces	L2  T4X1/2" Screw 4 pieces	M1  12#X3" Screw 12 pieces

M	N	O	P		
M2					
 Allen Wrench 1 piece	 Leg angle steel 4 pieces	 Panel angle steel 4 pieces	8 pcs	8 pcs	8 pcs
			Slate wedges		

#1  Leg 2 pieces	#2  Leg Leveler 4 sets	#3  Leg Stretcher 1 piece	#4  End cross beam 2 piece
#5  Main beam 2 pieces	#6  Mid cross beam 2 pieces	#7  Cloth 1 piece	#8  Slate 1 set
#9  End rail A 1 piece	#10  End rail B 1pieces	#11  Side rail A 2 pieces	#12  Side rail B 2 pieces
#13  End rail corner 4 piece	#14  Side rail corner 2 piece	#15  End apron 2 pieces	#16  Side apron 2 pieces
#17  Triangle support 1 piece	#18  Cue support 1 piece	#19  Basket A 4 pieces	#20  Basket B 2 pieces

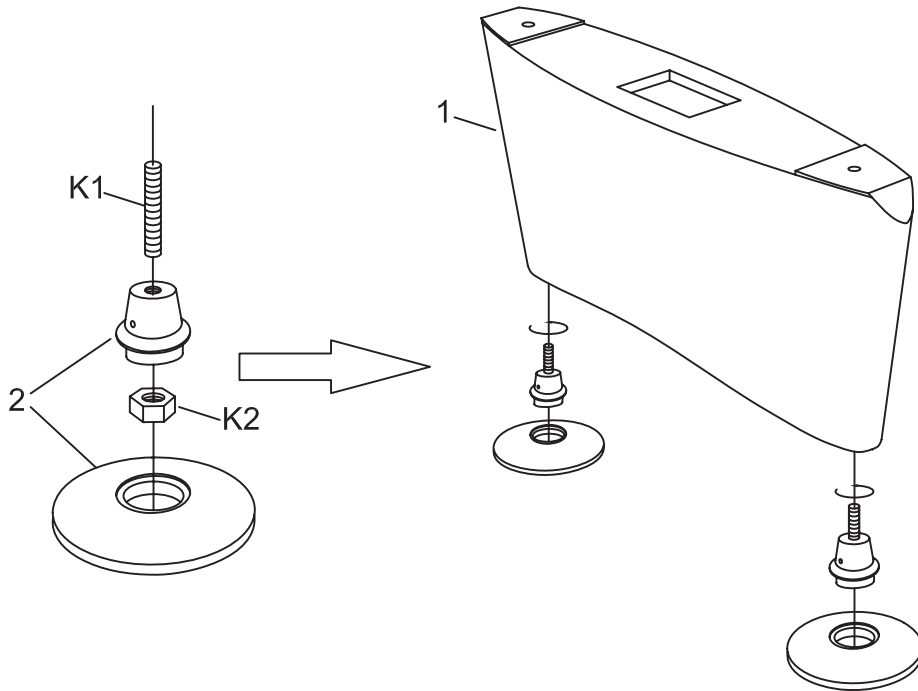
#21



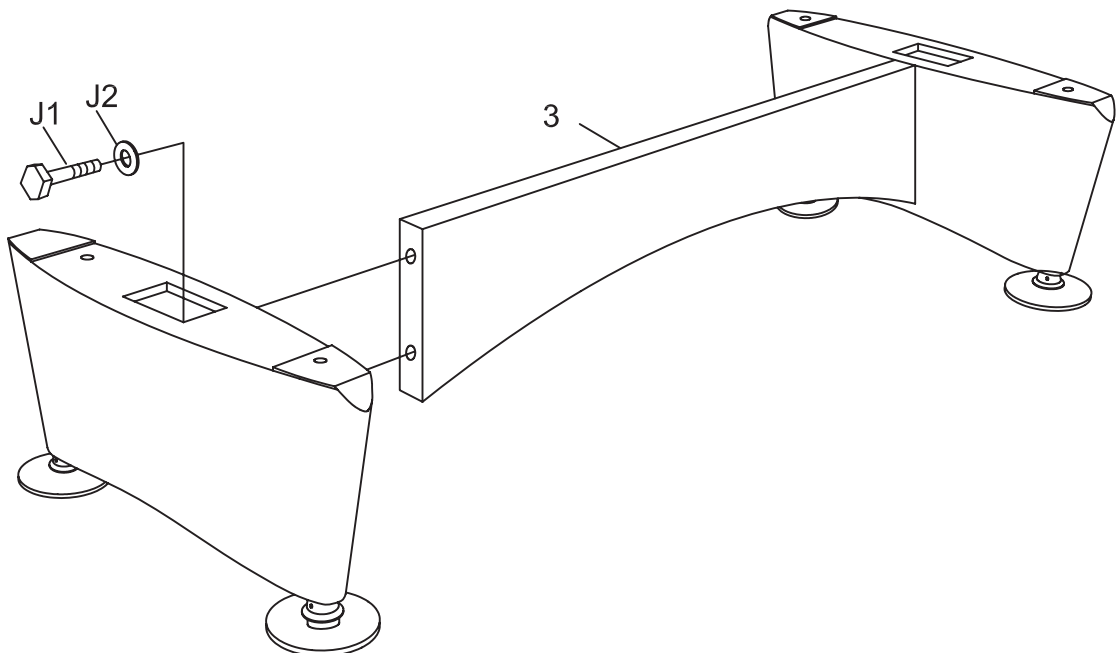
Protector
12 pieces

Assembly Instruction

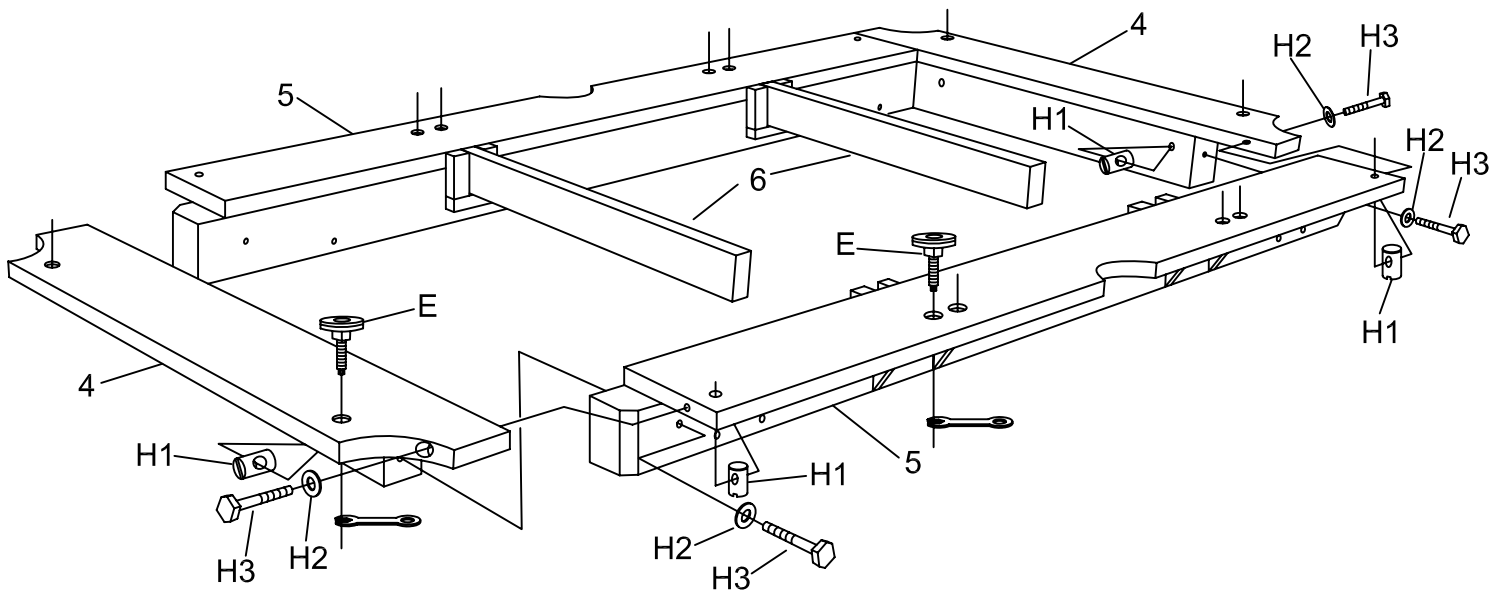
Step 1:



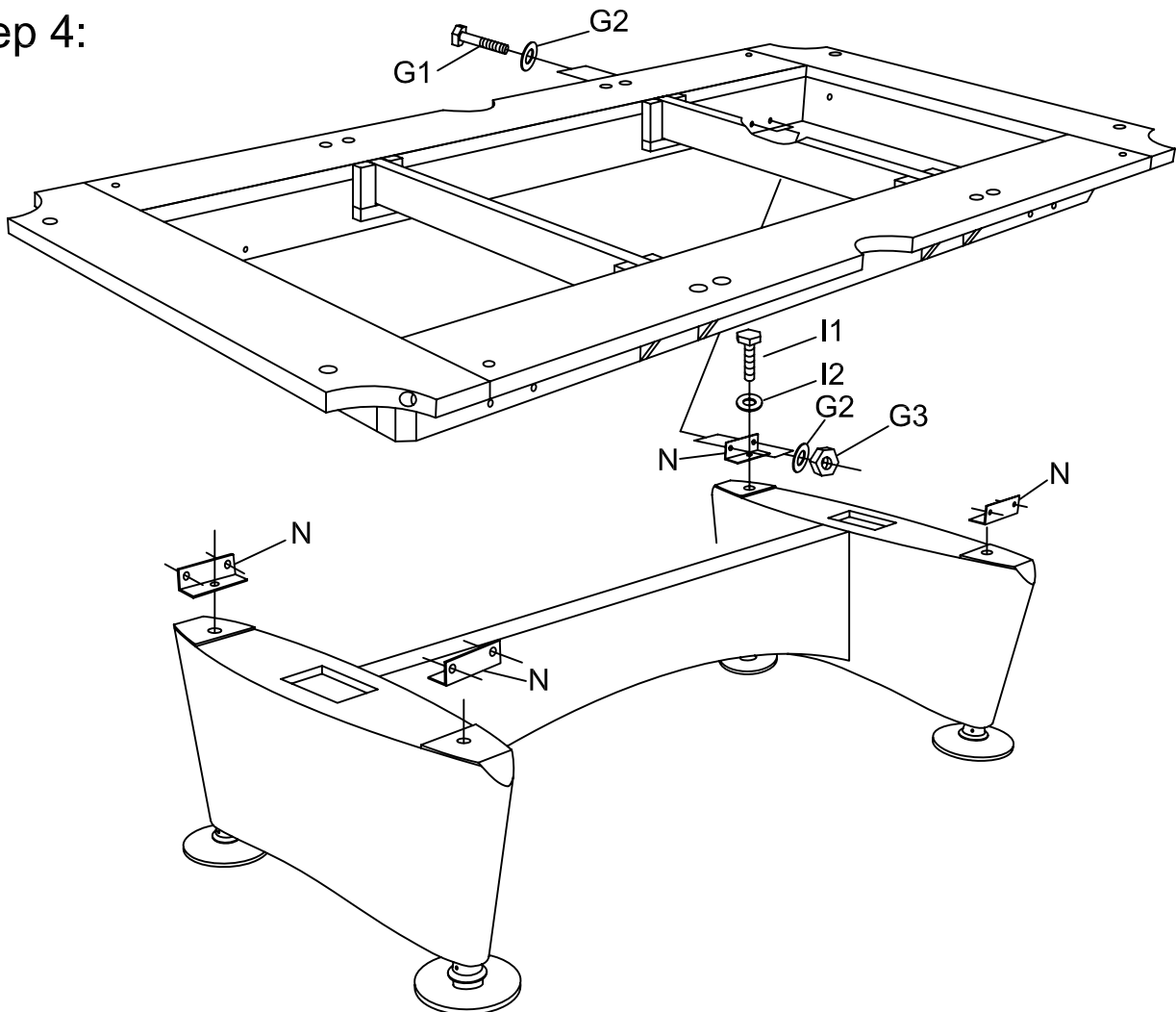
Step 2:



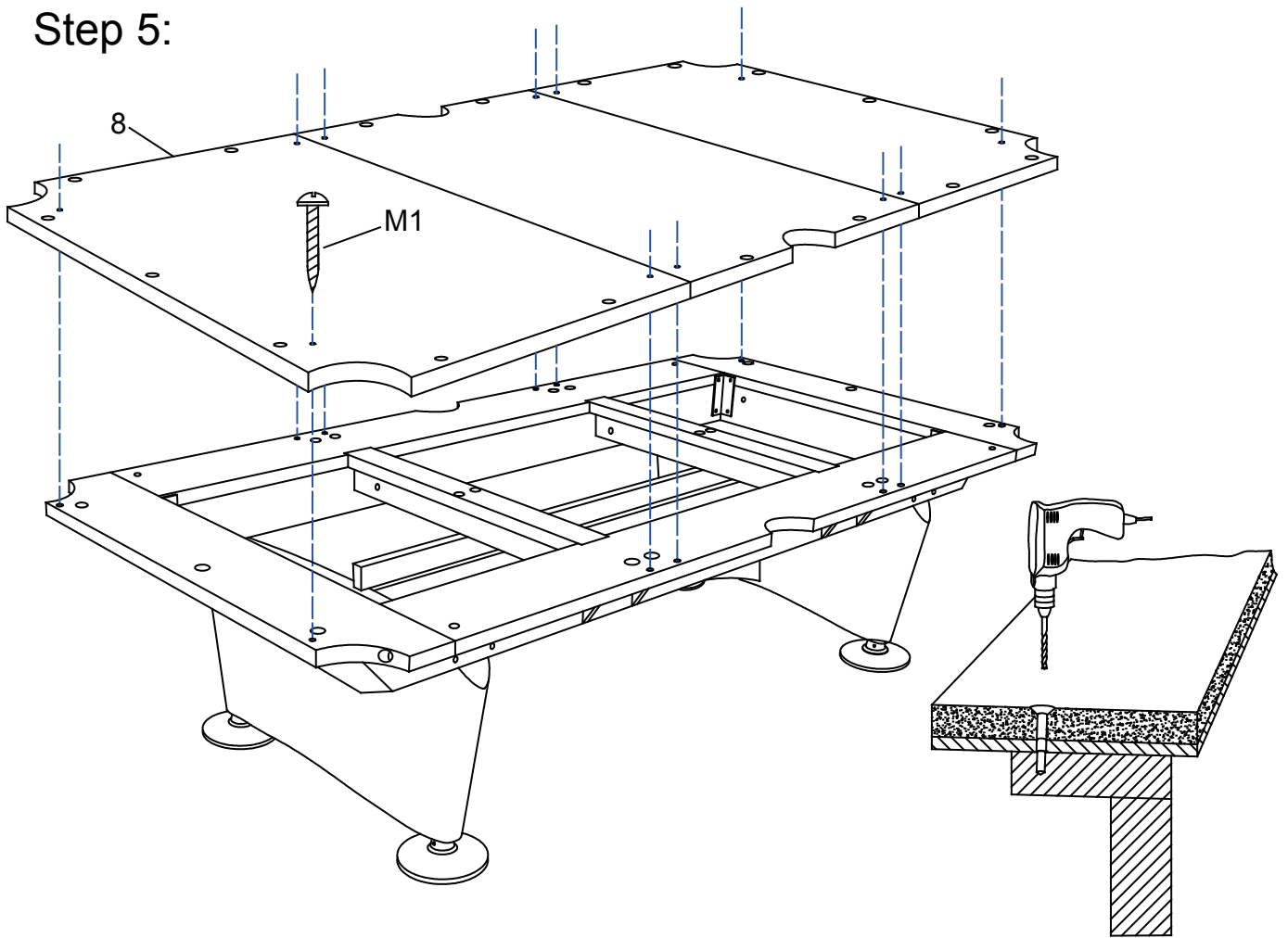
Step 3:



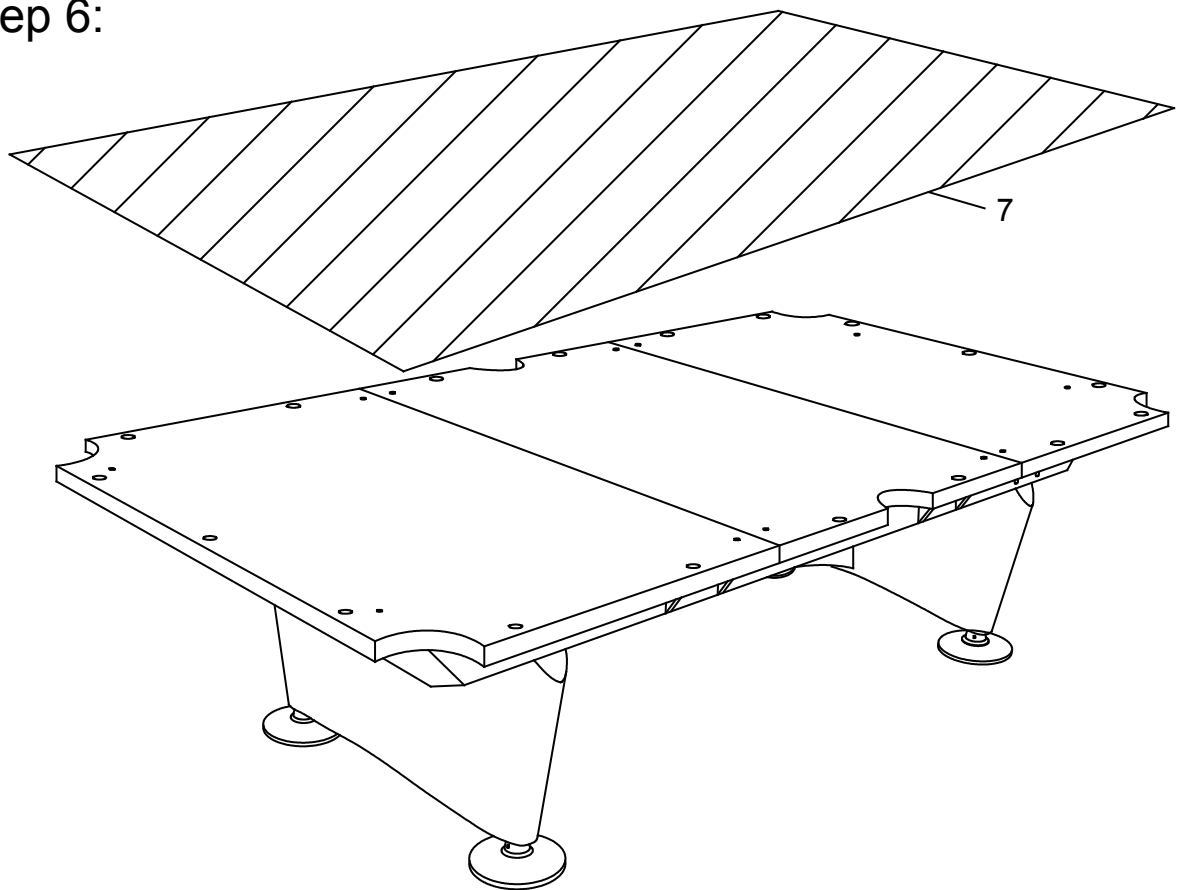
Step 4:



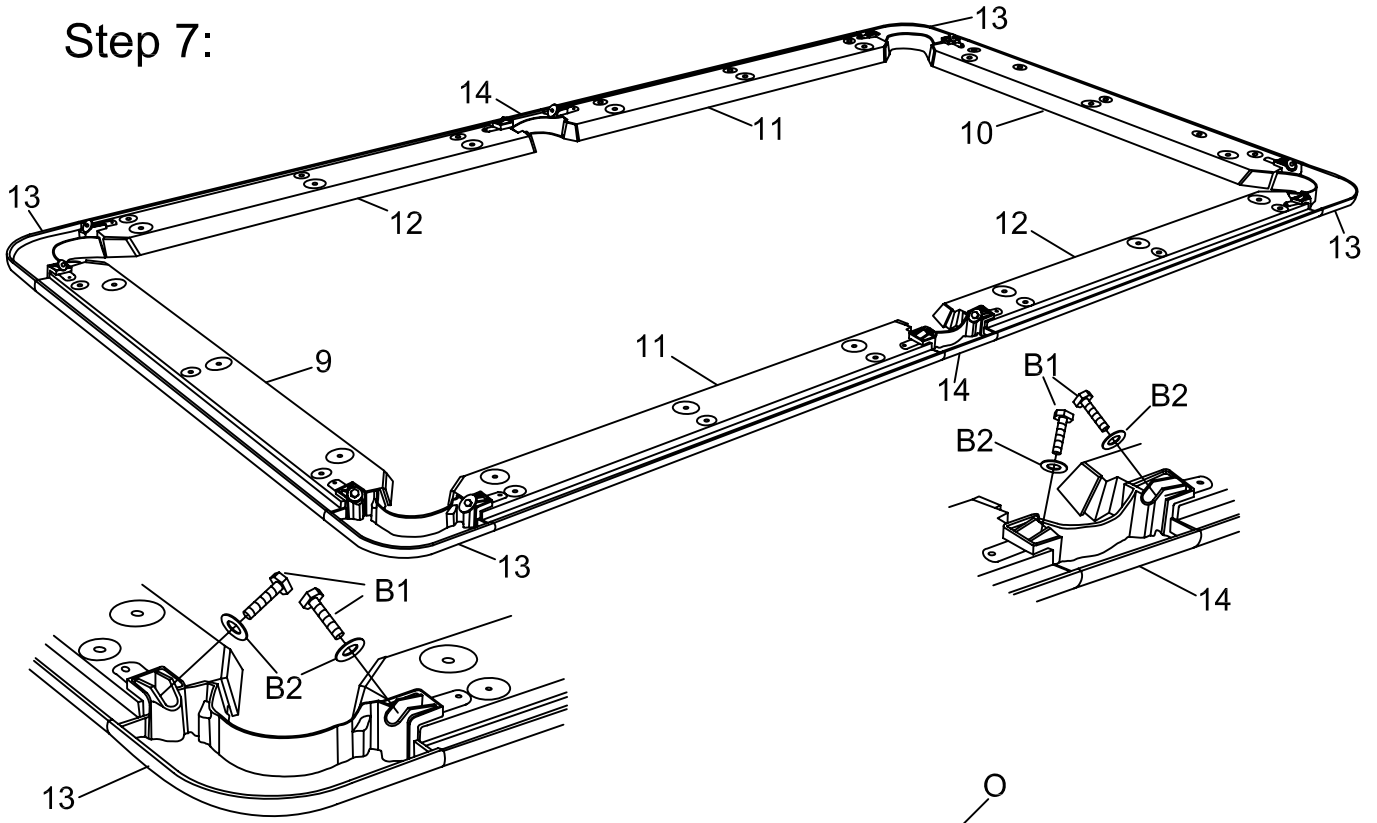
Step 5:



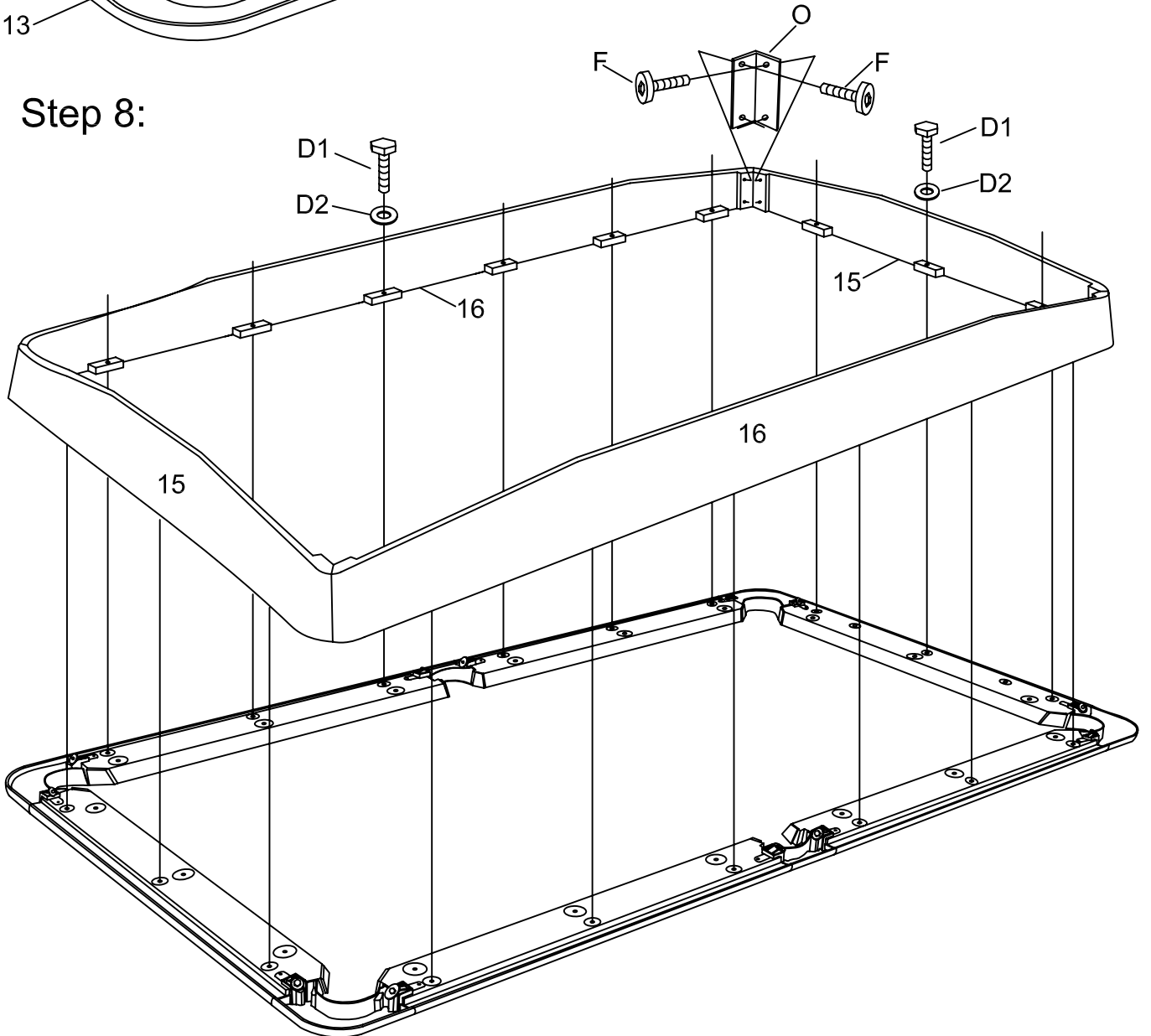
Step 6:



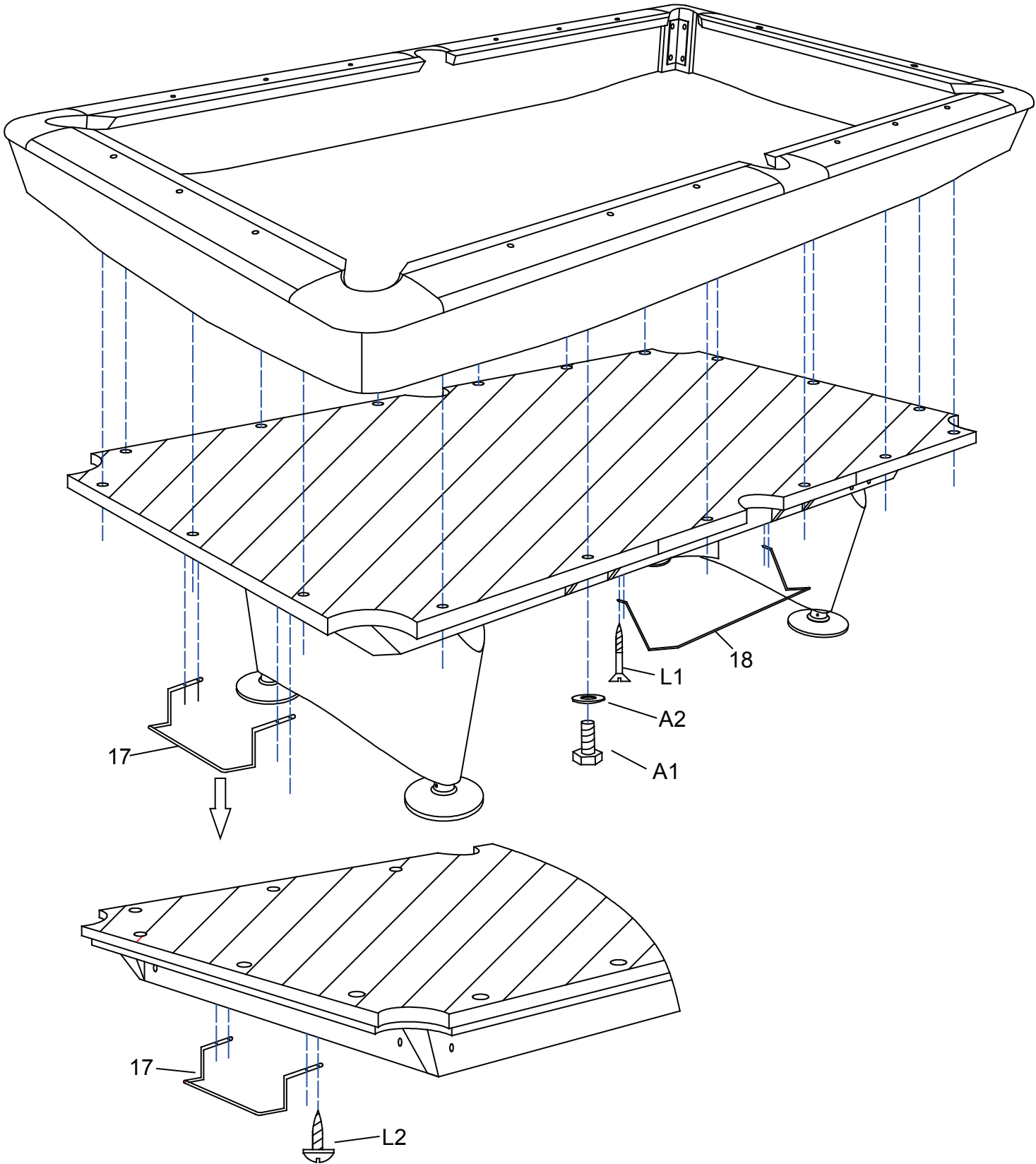
Step 7:



Step 8:



Step 9:



Step 10:

