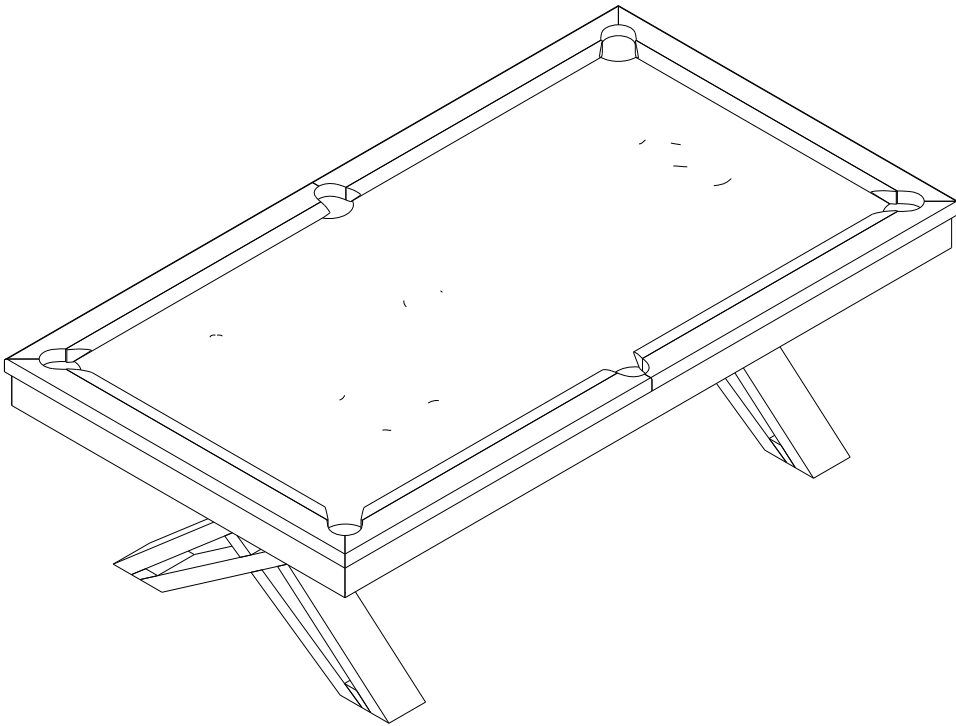




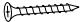










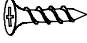


PIERCE



PIERCE TABLE ASSEMBLY INSTRUCTIONS AUFBAUANLEITUNG

PIERCE HARDWARE

PACKAGE	ITEM#	SAMPLE	DESCRIPTION	QTY.
LEG/PANEL	H1		HEX HEAD CROSS BOLT 3/8" X 1-3/8" (M10X35mm)	8
	H2		FLAT WASHER 3/8" I.D.	8
BEAM/BLOCK	H3		HEX HEAD CROSS BOLT 5/16" X 3-1/8" (M8X80mm)	16
	H4		FLAT WASHER 5/16" I.D.	16
RAIL/POCKET/SLATE	H5		FLAT HEAD SCREW 1/4" X 2" (M6X50mm)	12
	H6		STUD BOLT 5/16" X 5-1/2" (M8X140mm)	2
	H7		STUD BOLT 5/16" X 3-1/2" (M8X88mm)	4
	H8		FLAT WASHER 5/16" I.D.	12
	H9		HEX NUT 5/16" I.D.	12
	H10		HEX HEAD CROSS BOLT 5/16" X 1" (M8X25mm)	16
	H11		FLAT WASHER 5/16" I.D.	16
	H12		HEX HEAD CROSS BOLT 5/16" X 1-7/16" (M8X36mm)	12
	H13		FLAT WASHER 5/16" I.D.	12
	H14		HEX HEAD CROSS BOLT 3/8" X 2-3/8" (M10X60mm)	18
	H15		DOME WASHER 3/8" I.D.	18
	H16		FLAT HEAD SCREW 5# X 1/2" (M3X12mm)	24

PIERCE COMPONENT PARTS


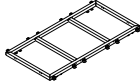
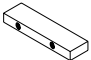


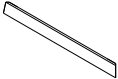
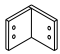

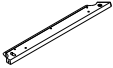



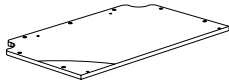
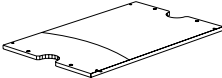
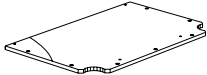

PACKAGE	ITEM#	SAMPLE	DESCRIPTION	QTY.
LEG	1		LEG	2
FRAME(PANEL)	2		CABINET	1
	3		LONG WOODEN BLOCK	4
	4		SHORT WOODEN BLOCK	4
	5		SIDE APRON	2
	6		END APRON	2
	7		APRON JOINT CORNER BLOCK	4
	TOP RAIL	8		TOP RAIL LEFT SIDE
9			TOP RAIL RIGHT SIDE	2
10			TOP RAIL END	2
POCKET	11		SIDE POCKET	2
	12		CORNER POCKET	4
SLATE	13		SLATE (LEFT)	1
	14		SLATE (CENTER)	1
	15		SLATE (RIGHT)	1
	16		CLOTH	1

FIG.1

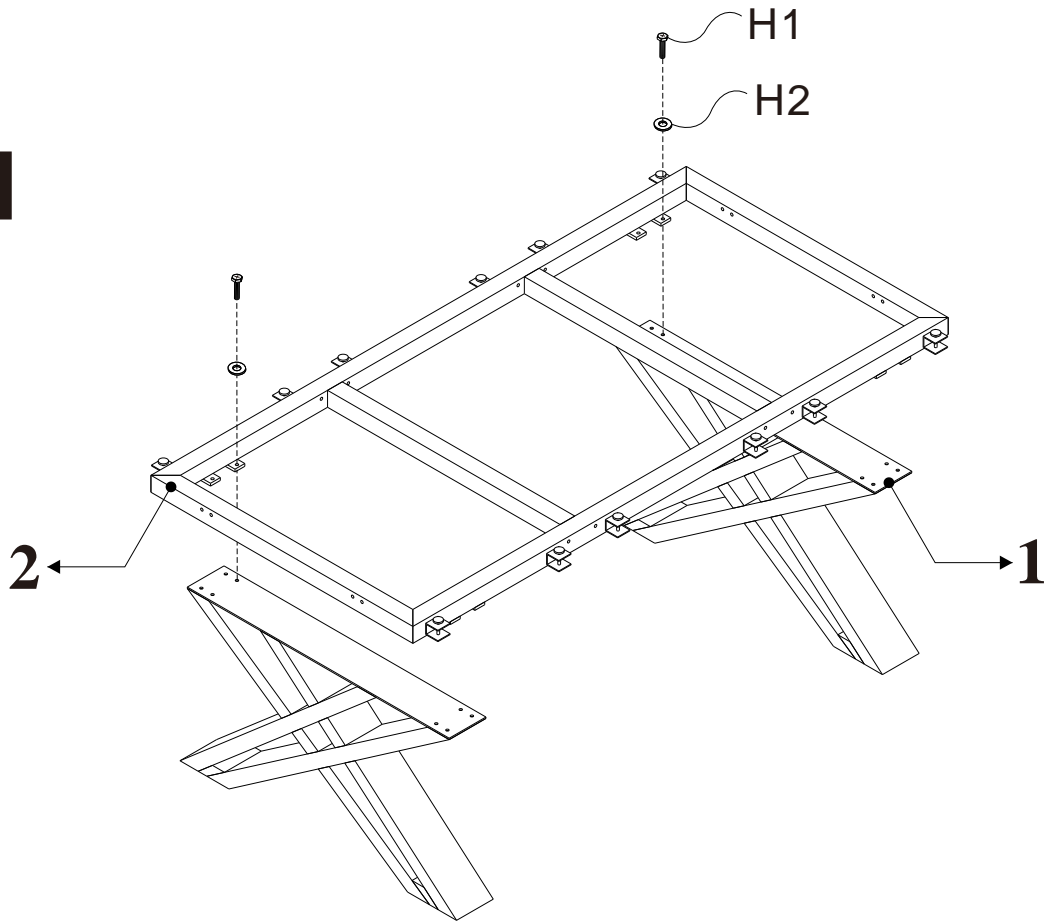


FIG.2

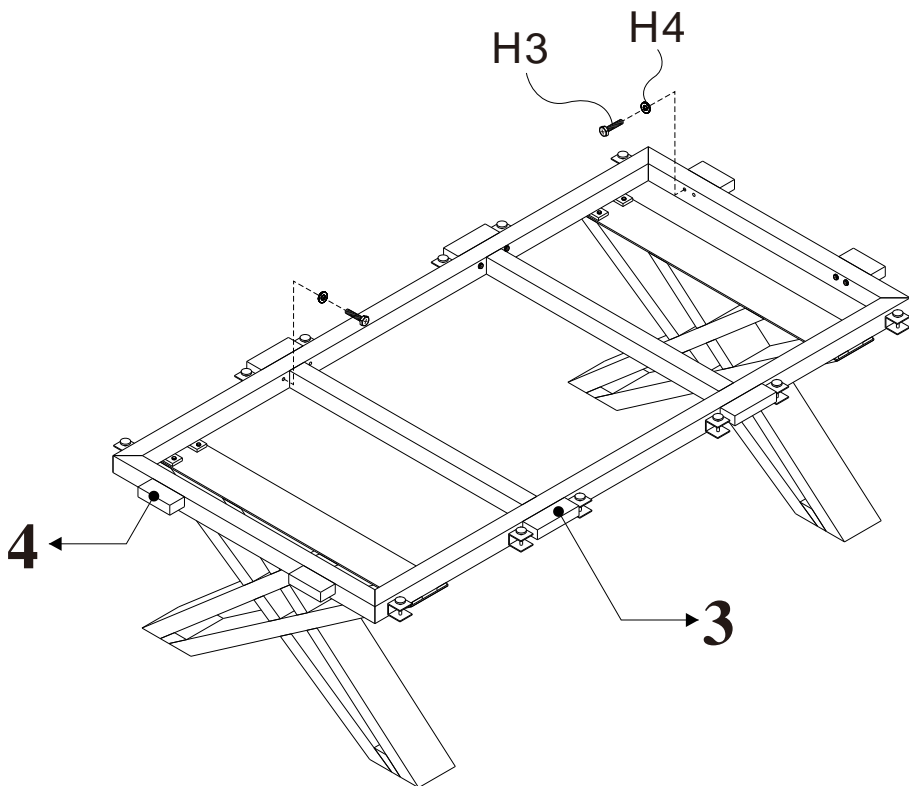


FIG.3

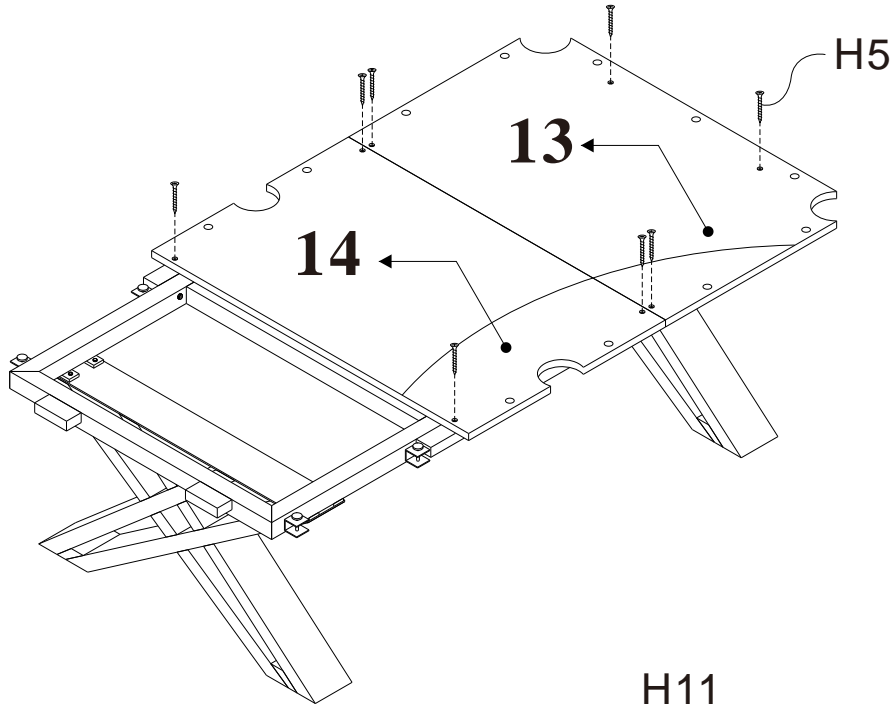


FIG.4

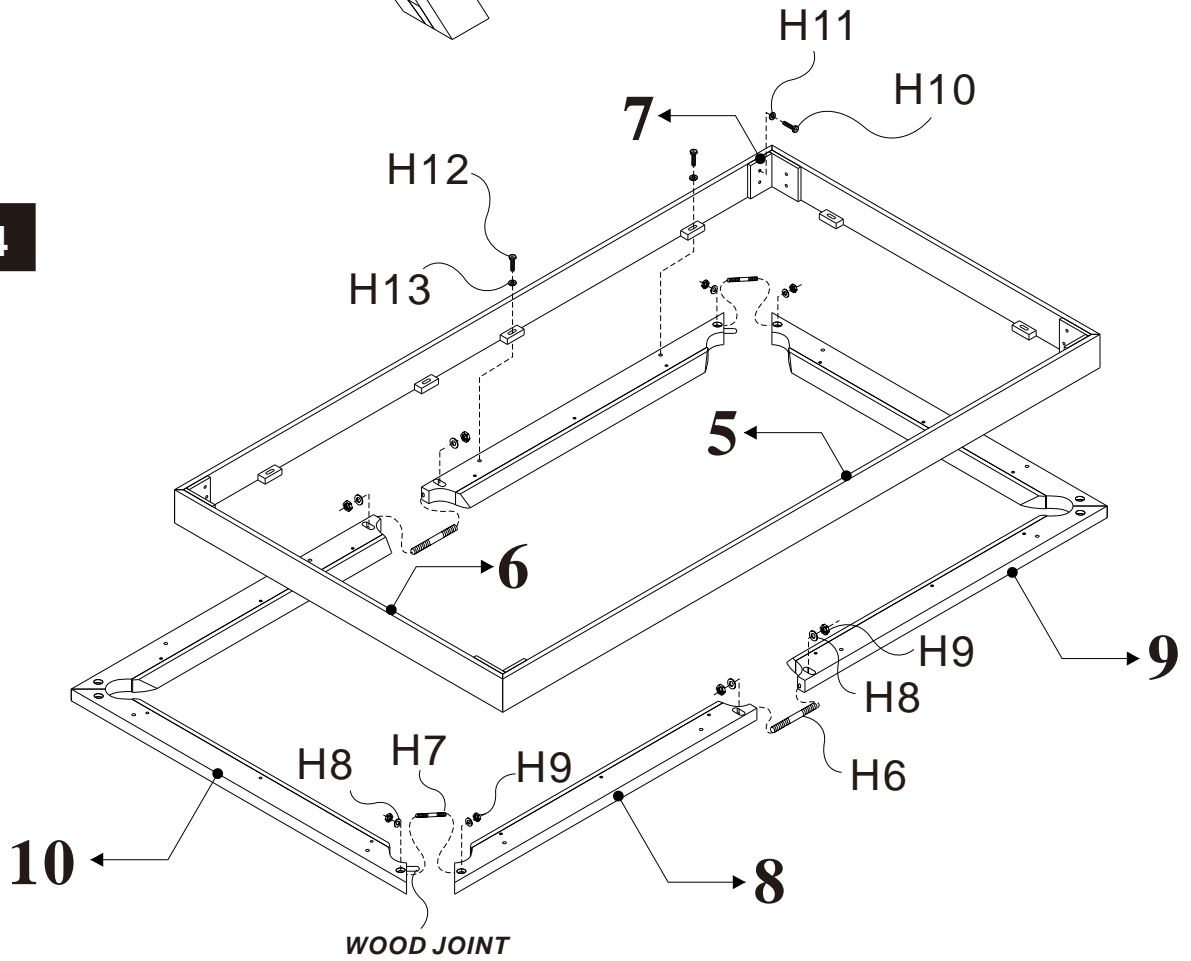
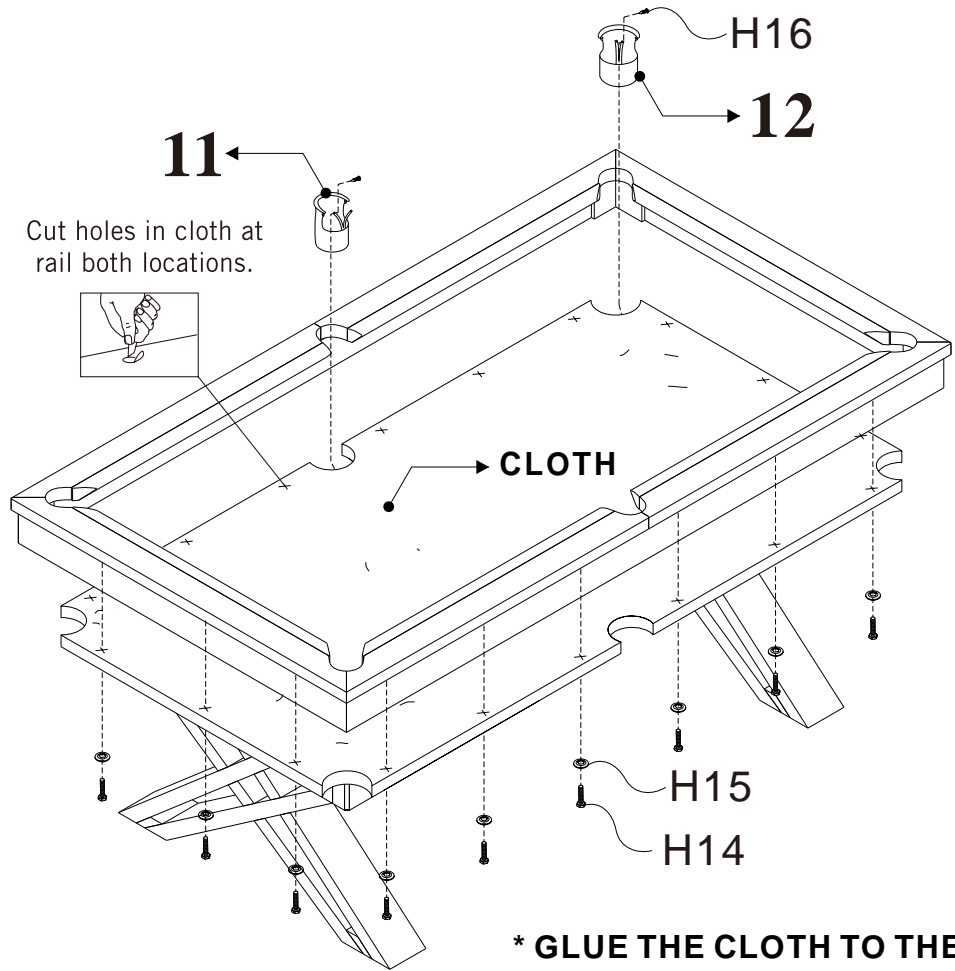


FIG.5



Finish

